



NILES®



# CM710Si

**7" STEREO INPUT**

CEILING MOUNT LOUDSPEAKER

---



## 7" Stereo Input Ceiling Mount Loudspeaker

- 7" Polypropylene Dual Voice Coil Woofer
- Dual 13mm Kaladex® Tweeters

SPECIFICATIONS SHEET

## 7 INCH STEREO INPUT CEILING MOUNT LOUDSPEAKER

### 7" Stereo Input Loudspeaker

CM710Si

Stock Number

FG01303



#### Features

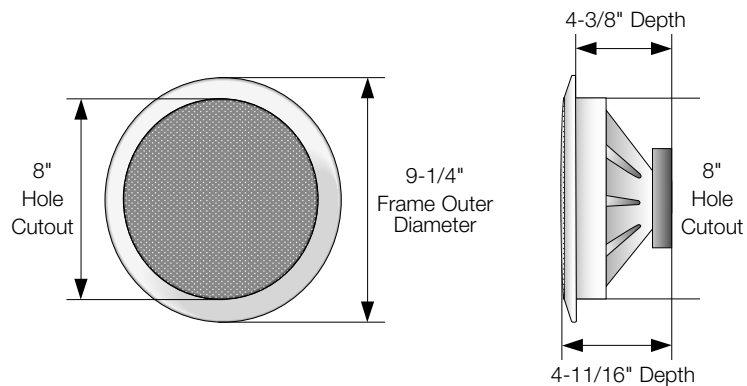
- Integrated woofer/baffle design delivers greater low frequency response by employing a 7" woofer where competitive models of the same outer size employ 6 1/2" woofers
- Polypropylene dual voice coil woofer reproduces left and right channel inputs from a single speaker
- Treated urethane surround increases sensitivity and preserves durability
- Dual 13mm fluid-cooled Kaladex® tweeters provide wide dispersion for clear and detailed high frequencies
- Bridge-mounted stereo imaging (Si) tweeter array directs the high-frequency sounds from both the left and right channels at opposing angles to preserve stereo separation
- Includes flush-mount MicroPerf™ aluminum grille for a clean and unobtrusive look
- Weather resistant construction reduces installation limitations and provides unique solutions in showers or outdoors under eaves


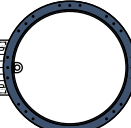


#### Specifications

- Frequency Response: 61Hz to 20kHz +/-3dB
- Impedance: 8 ohm nominal; 6 ohm minimum
- Recommended Amplifier Power: 10 to 75 Watts
- Frame Dimensions: 9 1/4 inches
- Hole cutout dimensions: 8 inches
- Depth behind ceiling: 4 3/8 inches

**Warranty: Five-year limited**

## PRODUCT CONSTRUCTION AND ACCESSORIES



Loudspeaker Model		Works With			
Model	Stock Number	Previous Bracket	New Bracket	Metal Enclosure	Hole Cover
CM710Si	FG01303	 CM6 Series Bracket Kit FG00655	 CM700 BKT FG01308	 CM700 CE FG01396	 CM700 Hole Cover FG01309